

**Product Description**

POLYshim® II Tape is a 100% solids, highly adhesive and elastic, cross-linked butyl preformed tape with a continuous integral EPDM shim.

**Basic Uses**

POLYshim II Tape is used in compression glazing systems wherever the design calls for high-performance glazing of curtain wall, unitized curtain walls, punched and ribbon window systems, and sloped glazing applications.

**Availability**

POLYshim II Tape is available for purchase from your authorized Tremco distributor.

**Packaging**

Supplied in rolls of the following standard thicknesses and face clearances:

Available thicknesses and Face Clearance (Shim Diameter):

0.150" (3.81 mm), 1/8" Diameter (3.18 mm)

0.215" (5.46 mm), 3/16" Diameter (4.78 mm)

0.280" (7.1 mm), 1/4" Diameter (6.35 mm)

0.090" (2.29 mm), 1/16" Diameter (1.59 mm)

0.125" (3.18 mm), 1/16" Diameter (1.59 mm)

**Tolerances**

Tape width:  $\pm 0.8$  mm ( $\pm 1/32$ " )

Tape Thickness: +0.4 mm, -0 ( $+1/64$ " , - 0)

**Colors**

Black

**Applicable Standards**

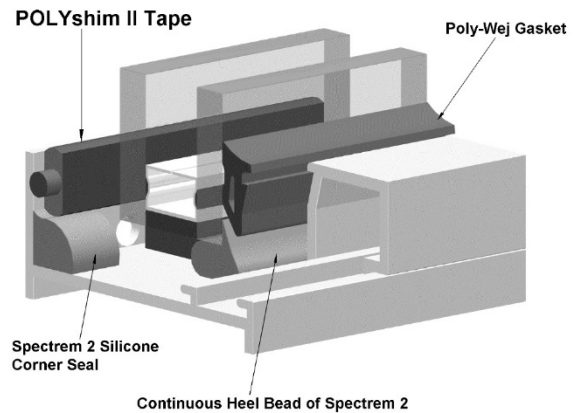
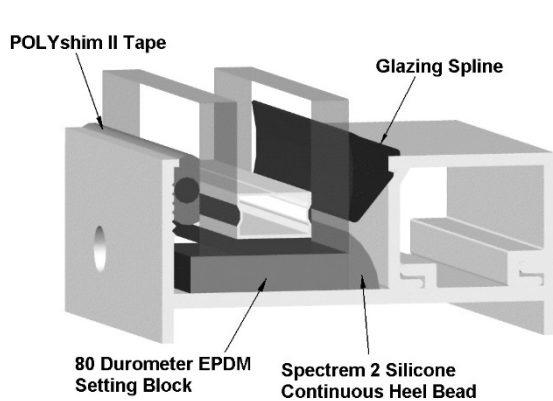
POLYshim II Tape meets the requirements of AAMA 800-92 specifications 804.3, 806.3 and 807.3.

**Warranty**

Tremco warrants its Products to be free of defects in materials, but makes no warranty as to appearance or color. Since methods of application and on-site conditions are beyond our control and can affect performance, Tremco makes no other warranty, expressed or implied including warranties of MERCHANTABILITY and FITNESS FOR A PARTICULAR PURPOSE with respect to Tremco Products. Tremco's sole obligation shall be, at its option, to replace or refund the purchase price of the quantity of Tremco Products proven to be defective, and Tremco shall not be liable for any loss or damage.

Please refer to our website at [www.tremcosealants.com](http://www.tremcosealants.com) for the most up-to-date Product Data Sheets.

NOTE: All Tremco Safety Data Sheets (SDS) are in alignment with the Globally Harmonized System of Classification and Labelling of Chemicals (GHS) requirements.



## TYPICAL PHYSICAL PROPERTIES

PROPERTY	TEST METHOD	TYPICAL RESULTS
Base Polymer		Cross-linked butyl rubber
Solids Content		100% by weight
Hardness		57 Durometer Shore "00".
Application Temp.		20 °F (-7 °C) to 120 °F (49 °C)
Service Temp.		-65 °F (-54 °C) to 200 °F (93 °C)
Heat Resistance		Excellent resistance to heat, cold and sun; no sagging and weeping or staining after 2 months at 200 °F (93 °C), -20 °F (-29 °C) and then to ultraviolet.
Aging		Excellent adhesion after 1000 hours exposure in accelerated weatherometer, cycling test unit.

0316/PSIITAPEDS-GL



### Tremco Commercial Sealants & Waterproofing

3735 Green Rd  
Beachwood OH 44122  
216.292.5000 / 800.321.7906

1451 Jacobson Ave  
Ashland OH 44805  
419.289.2050 / 800.321.6357

220 Wicksteed Ave  
Toronto ON M4H1G7  
416.421.3300 / 800.363.3213

1445 Rue de Coulomb  
Boucherville QC J4B 7L8  
514.521.9555